

Firewall

ADSL2+

QoS

USB



KEY FEATURES

- ⊗ Fully featured ADSL2+ Broadband Modem for super fast Internet access
- ⊗ Ethernet or USB connection
- ⊗ Built in Firewall for security and peace of mind
- ⊗ VPN Passthrough
- ⊗ Supports ADSL, ADSL2 and ADSL2+
- ⊗ UPnP™ and QoS
- ⊗ Simple Web based setup and configuration

The new NB6 Series from NetComm is the perfect modem for all users wanting to experience the full benefit of ADSL2+.

The NB6 is a dual interface router/modem that is capable of delivering high-speed internet access. With speeds of up to 24Mbps* watching movies, downloading music and online gaming becomes second nature with the NetComm NB6.

With all the features you expect from a quality modem/router the NB6 comes with a NAT firewall and QoS making it suitable for any use that requires prioritisation such as online gaming or VoIP.

The NB6 has a single Ethernet port for connecting to existing networks with the added convenience of a USB port for computers running Windows 98 SE/ME/2000/XP without a network card.

The NB6 has also been tested with Microsoft's new operating system, Windows Vista, and is the perfect choice if you're looking for a modem that will work with the new OS.



TECHNICAL SPECIFICATIONS

ADSL COMPLIANCE

ADSL

- ANSI T1.413 Issue 2
- ITU G.992.1 Annex A (G.dmt)
- ITU G.992.2 Annex A (G.lite)
- ITU G.994.1 (G.hs)
- Maximum Rate: 8 Mbps downstream and 1 Mbps upstream

ADSL2

- ITU G.992.3
- ITU G.992.4
- Maximum Rate: 12 Mbps downstream and 1 Mbps upstream

ADSL2+

- ITU G.992.5
- ITU G.992.5 Annex M
- Maximum Rate: 24 Mbps downstream and 1.2 Mbps upstream

ATM

- PPPoA (RFC 2364) and PPPoA Bridged mode
- PPPoE (RFC 2516) and PPPoE Bridged mode
- IPoA (RFC 2225)
- Bridged mode over AAL5 (RFC2684/1483)
- ATM Forum UNI 3.1 / 4.0 compliant PVCs
- UBR and CBR with traffic shaping
- OAM F4/F5 loopback cells

BRIDGING

- IEEE 802.1d self-learning bridge
- Learning up to 4096 MAC addresses
- Transparent Bridging between 10/100 Mb Ethernet and USB

ROUTING

- NAT / PAT allows multiple users to share Internet access
- UPnP IGD with NAT traversal capability
- Port Forwarding: users can setup multiple virtual servers (e.g., Web, FTP, Mail servers) on the local network.
- Static routing & dynamic routing RIPv1/v2
- DNS Relay, Dynamic DNS
- DHCP Client/Relay/Server
- IGMP Proxy
- Support IP/Bridge QoS for different traffic classes
- Support reservation of bandwidth to guarantee voice quality of VoIP applications.

SUPPORTED APPLICATIONS

- Application Level Gateways preset for Auth/Ident, DNS, FTP, PPTP, IPSEC, POP3, SMTP, SSH, TELNET, TFTP & WEB servers. Multiple Virtual Servers can be setup in local network.
- VPN passthrough: PPTP & IPSEC.
- NetMeeting, MSN Messenger, FTP, Quick Time, mIRC, Real Player, CuSeeMe, online gaming.

SECURITY

- PAP, CHAP, and MS-CHAP for PPP authentication
- Firewall based on incoming & outgoing filtering of IP address/Port number/Protocol type.
- Ping blocking from WAN.
- DMZ hosting.

CONFIGURATION AND MANAGEMENT

- Embedded web configuration interface with password protection
- Remote management control
- Telnet session for local or remote management
- System events logging
- DSL connection diagnostics
- Firmware upgrade via web browser
- User setting backup & restore

HARDWARE INTERFACE

- One RJ-11 port for ADSL connection
- One Ethernet port for IEEE 802.3/802.3u 10/100 Base-T auto-sensing, auto cross-over.
- One USB port compliant to USB v1.1
- One hidden reset button for restoring factory default settings

CHIPSET

- Broadcom BCM6338 single-chip ADSL2+ with integrated MIPS32 CPU, transceiver & Analog Front End.

REGULATORY APPROVAL AND COMPLIANCE

- ACA

POWER REQUIREMENT AND OPERATION

Environment Requirement

- Power Adaptor: Output 9 VAC, 1A
- Power Consumption: less than 5 W
- Ambient Temperature: 0 to 40°C
- Relative Humidity: 20% to 90% (non-condensing)

Physical

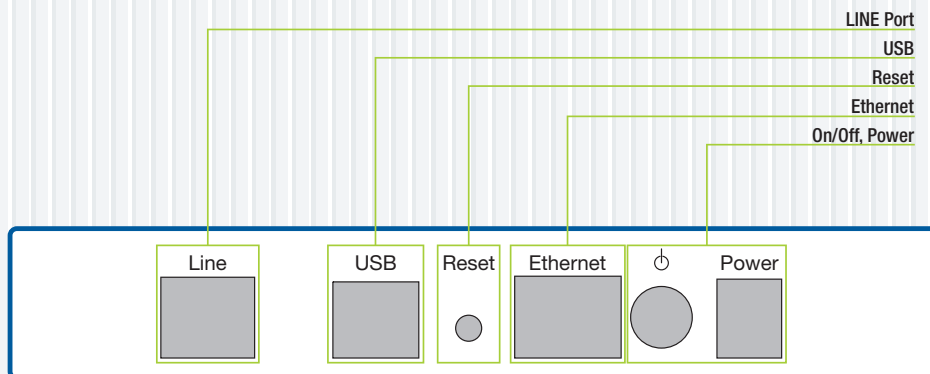
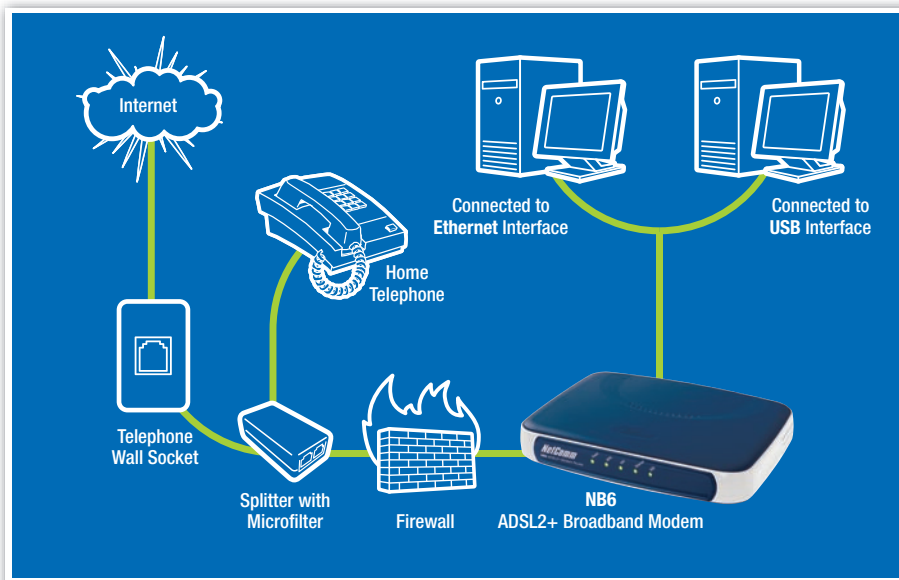
- Front Panel: 5 LED Indicators - Power, ADSL, PPP, Ethernet, USB
- Dimensions: 88mm(L) x 105mm(W) x 20mm(H)
- Weight: 58g

PACKAGE CONTENTS

- NB6 ADSL2+ Modem Router
- 9 VAC, 1A power supply
- RJ-11 ADSL Line connection cable
- RJ-45 10/100 Ethernet cable
- USB Cable
- Driver & Utility Software CD
- User Guide - On CD
- Quick Start Guide

NB6 ADSL2+ Modem Router

Perfect for users who prefer having a direct connection through USB to their computer or for those who don't have a network card the NB6 is the ultimate in choice with both Ethernet and USB connections to suit all users. The feature packed NB6 also comes with a NAT firewall, QoS and works with ADSL, ADSL2 and ADSL2+ and has an easy to use web interface for advanced users to configure the NB6 to suit their needs.



Your NetComm dealer:

NetComm®
Broadband Solutions

NETCOMM LIMITED ABN 85 002 490 486 PO Box 1200, Lane Cove NSW 2066 Australia
P: 02 9424 2070 F: 02 9424 2010 E: sales@netcomm.com.au W: www.netcomm.com.au

Trademarks and registered trademarks are the property of NetComm Limited or their respective owners. Specifications are subject to change without notice. Images shown may vary slightly from the actual product.